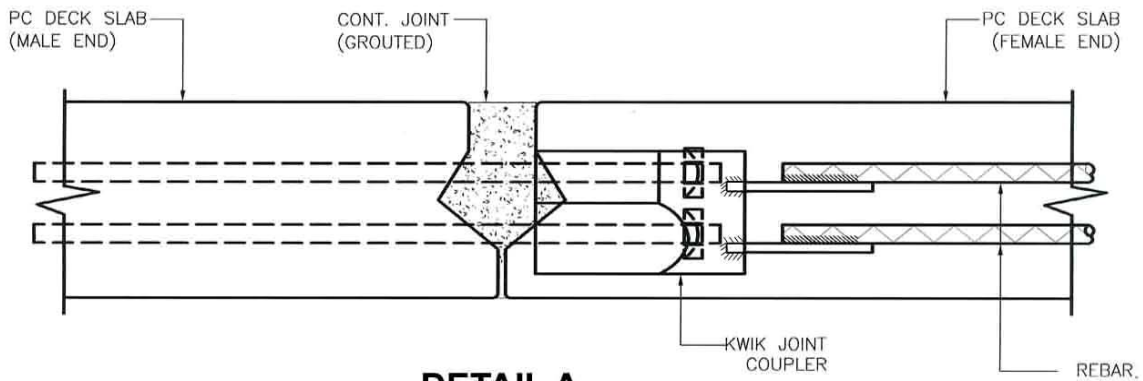
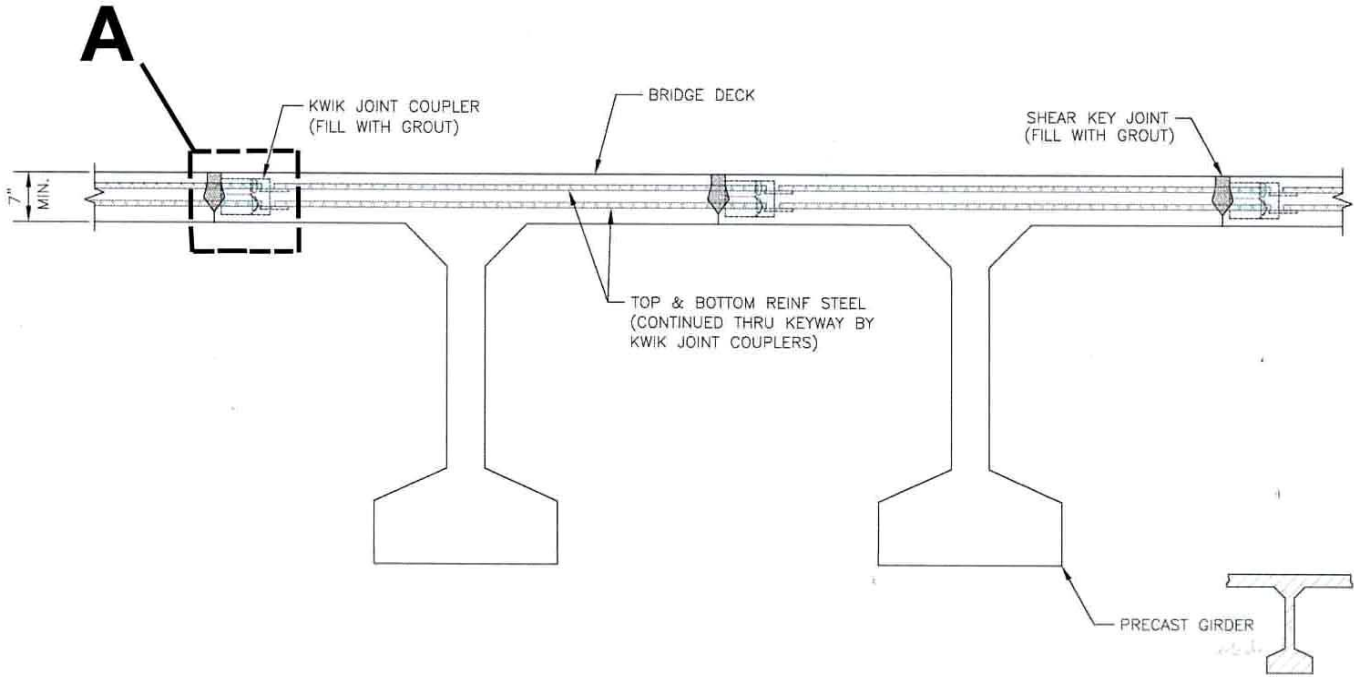


FLANGE TO FLANGE CONNECTION IN BRIDGE DECK

(No deck concrete topping required. A/C paving optional.)



DETAIL A